

ZRS 180 SMOKE GAS FAN

Item no. 1667

Document type: **Product card**

Document date: **2014-10-07**

Generated by: **Systemair Online Catalogue**

Description

- Installation

Fans are supplied with 1 m armoured cable and a junction box. Steel cables are provided to give extra support for the fan during chimney sweeping and similar operations.

- Design

The flue-gas fans have a casing of cast aluminium alloy. The ZRS 170 impeller is made of silumin alloy, while the ZRS 180 impeller is made of stainless steel.

- Selecting the correct fan

The ZRS 170 is suitable for smaller fireplaces with an aperture of less than 0,35 m², and the ZRS 180 is intended for fireplaces with an aperture between 0,35 and 0,80 m².



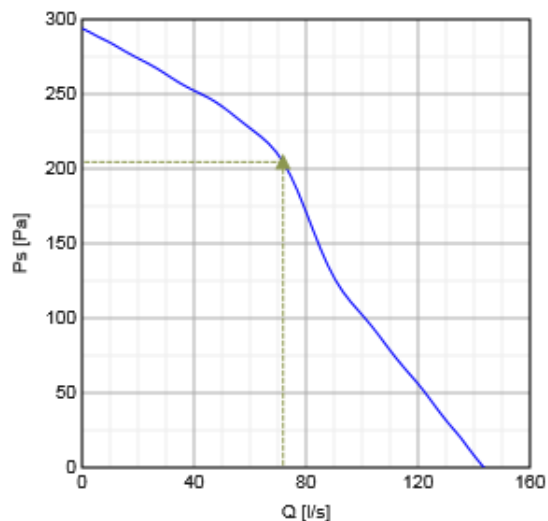
Systemair flue-gas fans counteract drafts caused by stoves, ovens and open fireplaces. Flue-gas fans are positioned on the top of the chimney and fixed with four adjustable locating rods which are inserted down the chimney. This means that no fixing into the chimney itself is required. The fan is a discreet and compact unit with a low profile.

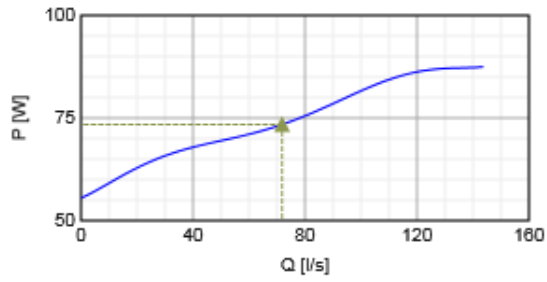
Technical parameters

Voltage	230 V
Frequency	50 Hz
Phase	1 ~
Power	55.5 W
Current	0.26 A
Max. airflow	144 l/s
R.p.m.	2746 r.p.m.
Max. temperature of transported air	200 °C
Max. temperature of transported air when speed-controlled	200 °C
Sound pressure level at 10 m	40.6 dB(A)
Weight	8.2 kg
Insulation class, motor	F
Enclosure class, motor	44 IP
Capacitor	2 µF

Diagrams

Diagrams





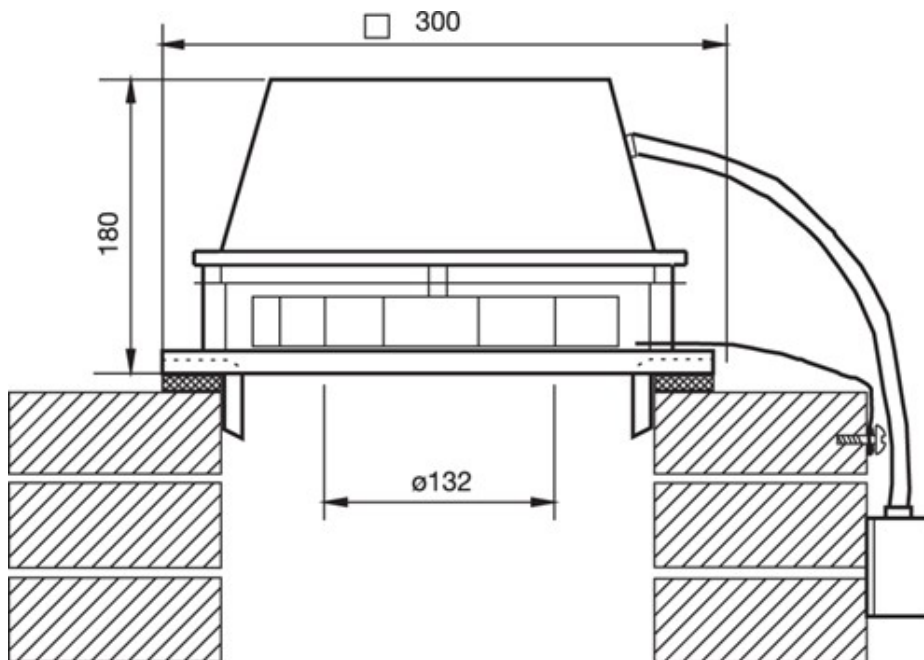
Hydraulic data

	Working point						
	Q [l/s]	Ps [Pa]	P [W]	n [r.p.m.]	I [A]	SFP [kW/m³/s]	U [V]
Max efficiency	71.8	205	73.4	2547	0.32	1.02	230

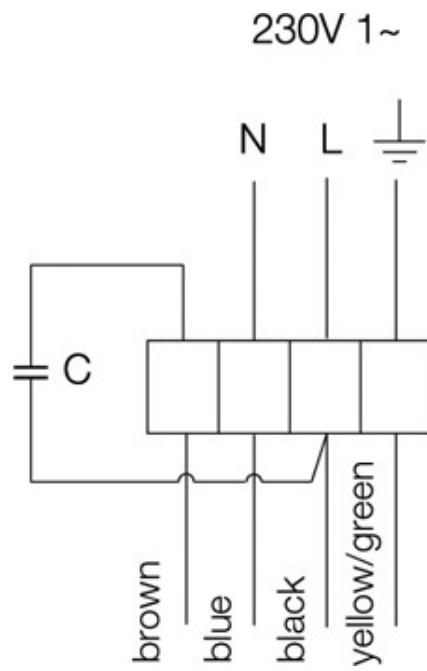
Acoustic data

Sound power level		63	125	250	500	1k	2k	4k	8k	Tot
Inlet	dB(A)	33	48	60	62	60	58	50	48	67
Outlet	dB(A)	33	51	68	66	68	66	60	55	74

Dimensions



Wiring



Accessories

Electric accessories

- RE 1,5 Speed control (5000)
- REE 1 Speed control (5314)

Documentation



[\(ZRS Installation instructions 200515 CE_A001 .pdf, 572kB\)](#)



[\(ZRS ohieet FI.pdf, 508kB\)](#)